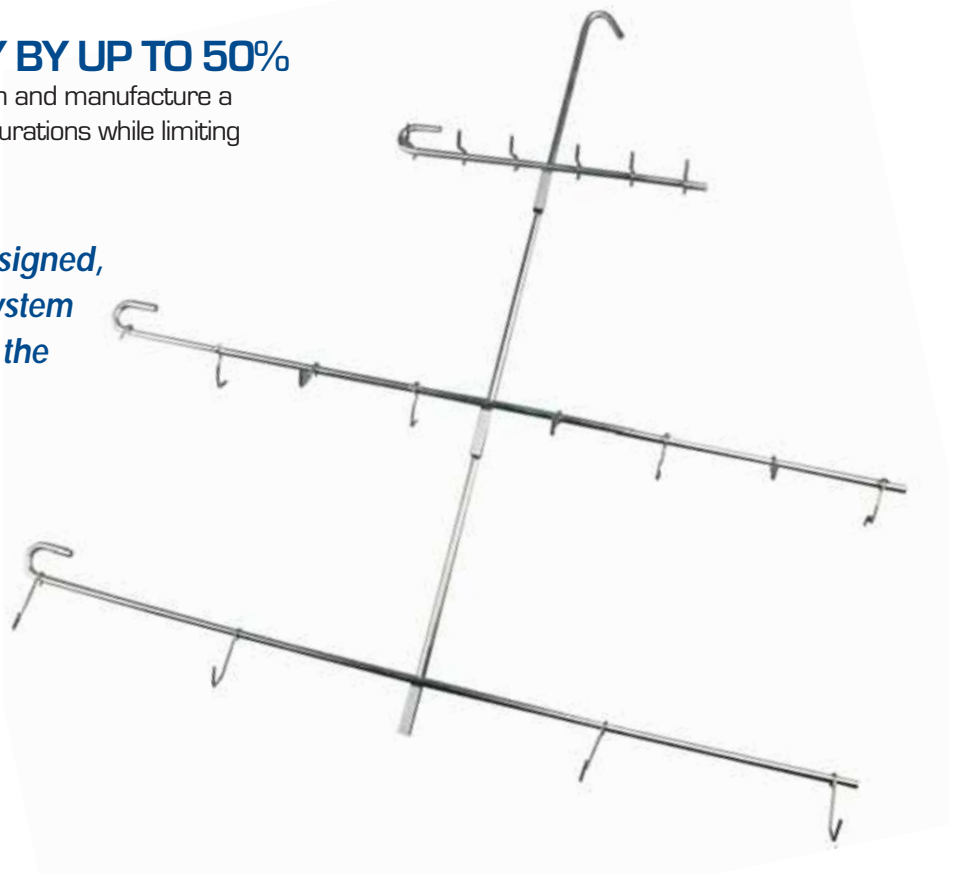


## The Solution For Your Part Hanging And Painting Needs

### REDUCE HOOK INVENTORY BY UP TO 50%

Our trained staff will work with you to design and manufacture a system that maximizes your hanging configurations while limiting your total hook needs.

*AmeriHook™ is a custom designed, flexible stem and crossbar system that efficiently handles all of the parts you need to paint.*



### INCREASED STORAGE & HANDLING EFFICIENCY

Included in the design process is a convenient carting solution for all the components involved. The carts promote effective handling and transportation of the hooks to minimize damage and help reclaim valuable floor space in your plant. Carts can also be designed with hook cleaning operations in mind.



### WHAT MAKES AMERIHOOK™ UNIQUE?

The AmeriHook™ design features a system of common stems that can be matched with a variety of crossbars. All are custom designed to meet customers' needs.

### COMPLETE HANGING SOLUTION WITH FUTURE FLEXIBILITY

The AmeriHook™ design maintains its adjustability long after your initial order. New or replacement crossbars can be ordered at any time and stems can be easily modified to accommodate future product changes.

### MAXIMIZE YOUR PAINT LINE DENSITY, EFFICIENCY

The stem and crossbar system ensures you'll paint the most parts in the least amount of time while minimizing the surface area of the fixtures. Save your valuable paint for your parts, not your hooks!



See our video and get more information on the AmeriHook system at [www.afnow.com/amerihook.html/](http://www.afnow.com/amerihook.html/)



476 Clay Street • Chilton, WI 53014  
Phone: 920.849.7738 • Fax: 920.849.2800  
[www.afnow.com](http://www.afnow.com)